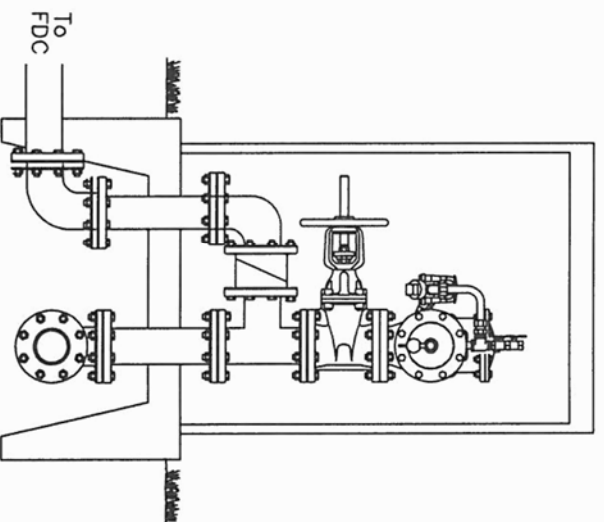
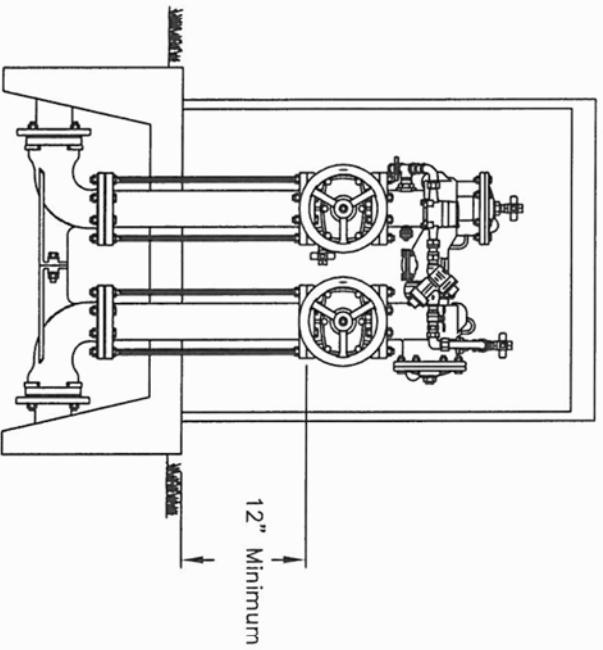


NOTES:

1. ALL PIPING AND FITTINGS TO BE DUCTILE IRON, GALVANIZED, BRASS, STAINLESS STEEL, OR ALUMINIUM.
2. 40' MAX FROM FDC TO APPARATUS ACCESS LOCATION.
3. FDC TO FACE FIRE APPARATUS ACCESS LOCATION (DRIVEWAY).
4. DO NOT BLOCK APPARATUS ACCESS TO BUILDING WITH HOSE LAY FROM HYDRANT TO FDC.
5. MIN DISTANCE OF 3' BEHIND CURB, PROTECT FROM VEHICLES.
6. PROVIDE HEAT AND ALARM SUPERVISION TO HOT BOX (2 CONDUITS).



EFFECTIVE: DECEMBER 30, 2016