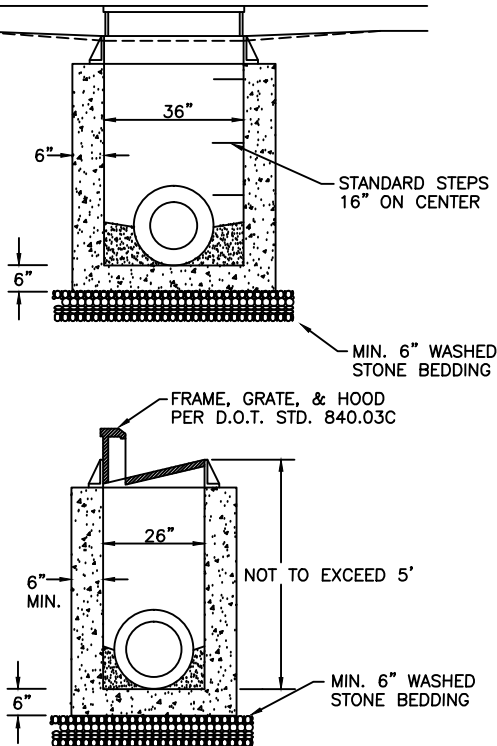
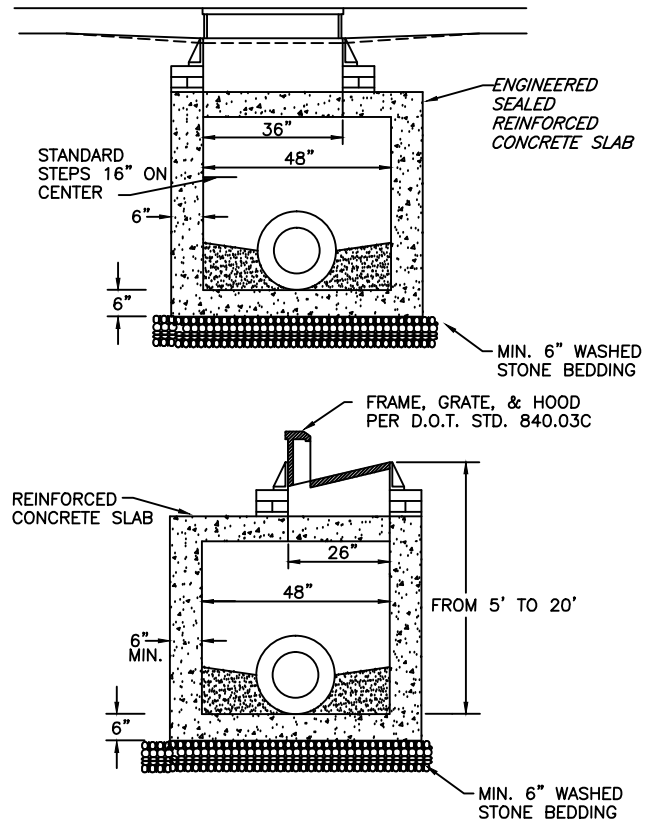


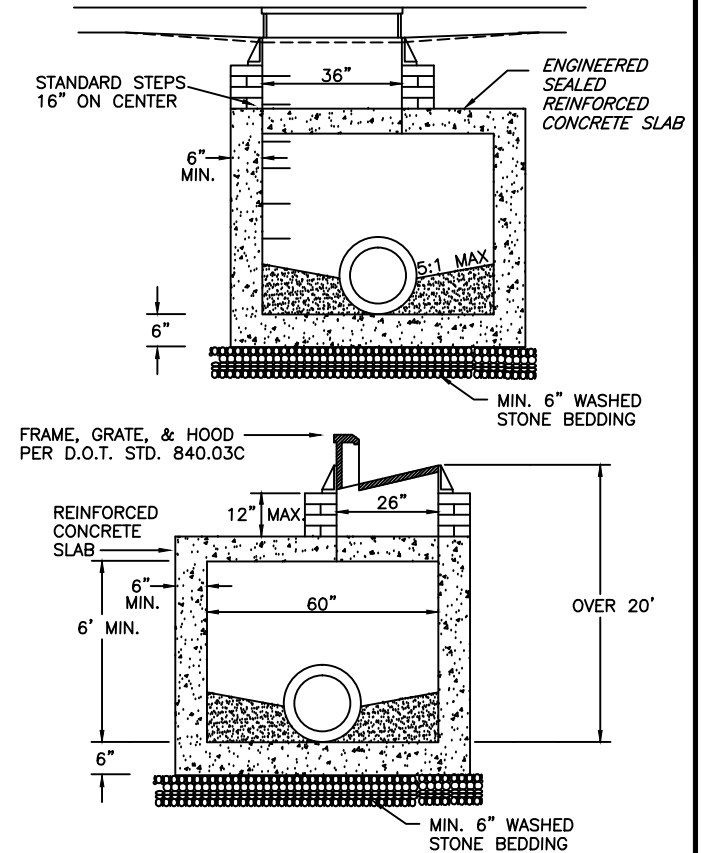
**SHALLOW TYPE**  
(5 FEET OR LESS IN DEPTH)



**INTERMEDIATE TYPE (4'X4')**  
(5 FEET TO 20 FEET IN DEPTH)



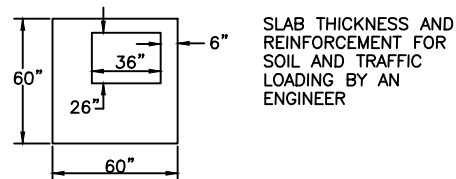
**DEEP TYPE (5'X5')**  
(OVER 20 FEET IN DEPTH)



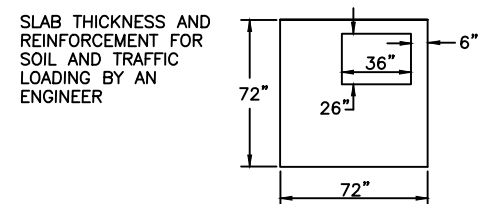
**NOTES:**

1. CONCRETE SHALL BE 4000 PSI MIN. FOR ALL PRECAST CONCRETE CATCH BASINS.
2. PRECAST CONCRETE STRUCTURES MAY ONLY BE INSTALLED TO DEPTHS CERTIFIED AS ACCEPTABLE BY THE MANUFACTURER.
3. NO WAFFLE BOXES ALLOWED.

**SLAB DETAIL**



**SLAB DETAIL**



EFFECTIVE: DECEMBER 30, 2016